

LEX230 Order Form

Date _____
 AVFI Sales REP _____
 Customer Signature _____

Quote No. _____
 Customer No. _____
 AVFI No. _____

Office Use Only

To generate your order form, please refer to the information provided below to insert the alphabetic and/or numeric code in the respective category boxes. Please note that without this filled out Order Form, your purchase **cannot** be processed.

1	2	3	4
Product Model	Finish	Chargeable Accessories (One Code Per Box)	Custom Cutouts
LEX230			


1 Product Model



Code **LEX230**

2 Choose Product Finish

Standard Finishes



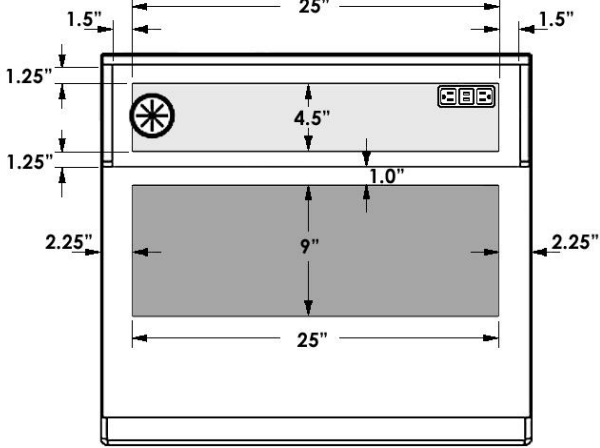
CLT RCT SGT FMT CJT HCT ART
 BRT ELT EBT CWT BAT

3 Chargeable Accessories (Check all that apply)

Code 00	No Accessories	Qty _____
* Code D1	MIC-18 MX418 S/C Microphone	Qty _____
* Code D2	LIGHT-18 Gooseneck Light	Qty _____
* Code D3	FM3 Timer/Clock	Qty _____
Code D4	FAN Quiet Cooling Fan	Qty _____
Code E1	PB 6 Outlet Power Bar	Qty _____
* Code E3	CUB3 Round Cable Well	Qty _____
* Code E5	CUB5 Black Round Cable Well	Qty _____
* Code E6	CUB5 Silver Round Cable Well	Qty _____
* Code E7	PC-PATCH Power-Data Module	Qty _____
* Code E8	CUB8 Tabletop Cable Well	Qty _____
* Code EA	CUB4S Silver Power Panel	Qty _____
* Code EB	CUB4B Black Power Panel	Qty _____
* Code EF	CHGQIB Wireless Charging Station, Black	Qty _____
* Code EJ	CUB22 3 Module Power Panel (Black)	Qty _____
* Code EK	CUBM3 3 Module Power & Data Panel (Black)	Qty _____
* Code EL	CUBM4 4 Module Power & Data Panel (Black)	Qty _____
Code J0	DIR9200-5 5U Rack Module	Qty _____
Code J3	DIR9200-8 8U Rack Module	Qty _____
Code J4	DIR9200-10 10U Rack Module	Qty _____
Code K1	C900S Single Monitor Arm	Qty _____

4 Custom Cutout Option (Extra charges will apply)

Please indicate custom cutout location on the drawing below



Code **CO** No Custom Cutout
 Code **CC** Custom Cutout (Specify on Cutout Area Above)

- Top-Rear Panel cutout Area (1x - 25" W x 4.5" D)
- Top-Work Surface Panel cutout Area (1x - 25" W x 9" D)

* Cutout Required (Extra Charges will apply)

Comments (Please use this section to provide additional information)

Notes

CAD Drawings/Symbols
 CAD drawings are available by request at sales@veggroup.net

Custom Cutouts Estimated lead time within 20 business days from receipt of P.O. and signed drawings.

Customizations
 Modifications to design such as shape and/or size variations have to be quoted on a per case basis and are applicable for quantities of 10+ only.